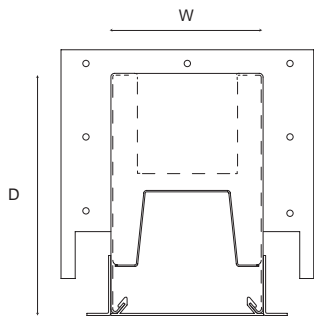


WARNING:



RISK OF FIRE AND ELECTRICAL SHOCK. FIXTURE MUST BE INSTALLED BY A QUALIFIED ELECTRICIAN ONLY IN ACCORDANCE WITH NATIONAL, LOCAL BUILDING AND ELECTRICAL CODES. DISCONNECT POWER AT ELECTRICAL PANEL BEFORE SERVICING.

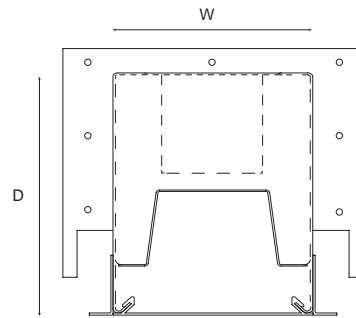
12100-20 | 12100-40 - INSTALLATION INSTRUCTIONS FOR RECESSED T-BAR MOUNT



Specifications: 12100-20

Width: 2.5 (64)
Depth: 4 (101)

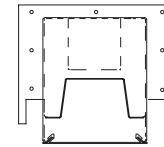
All dimensions are in inches (millimeters).



Specifications: 12100-40

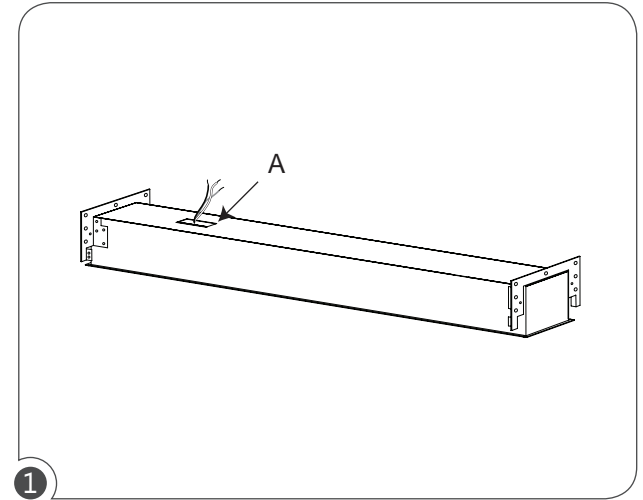
Width: 4 (101)
Depth: 4 (101)

All dimensions are in inches (millimeters).



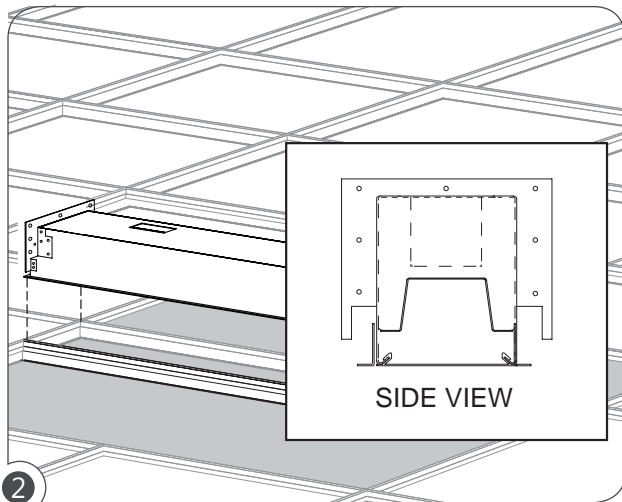
● PART LIST

- A: Access plate
- B: Support wire
- C: Bracket (optional)
- D: BX cable connector
- D: BX cable connector
- D: BX cable connector



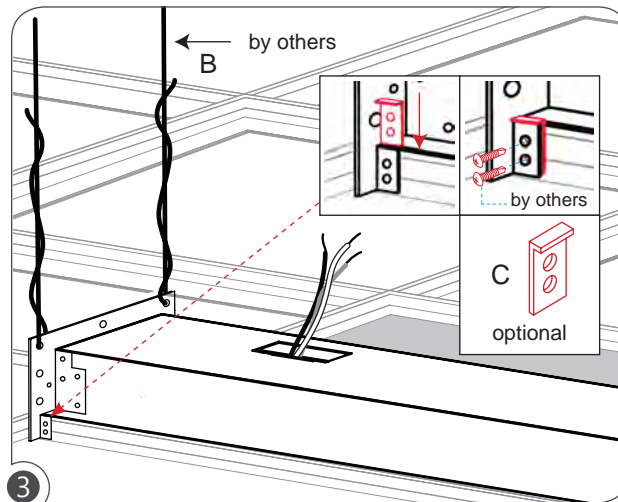
1

Remove access plate(A) and have wires out ready.



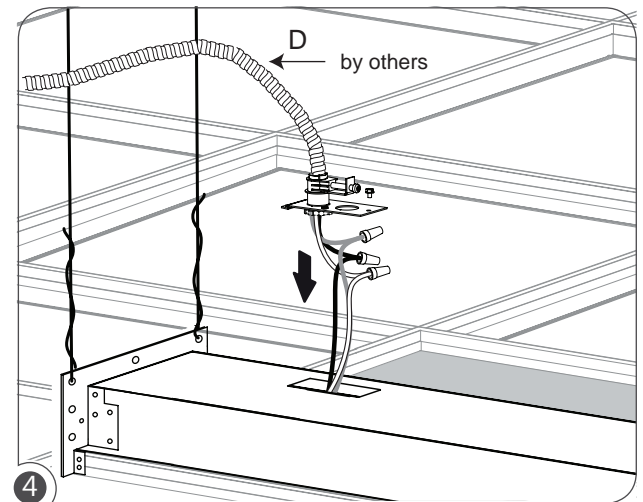
2

Drop fixture on to T-bar ceiling.



3

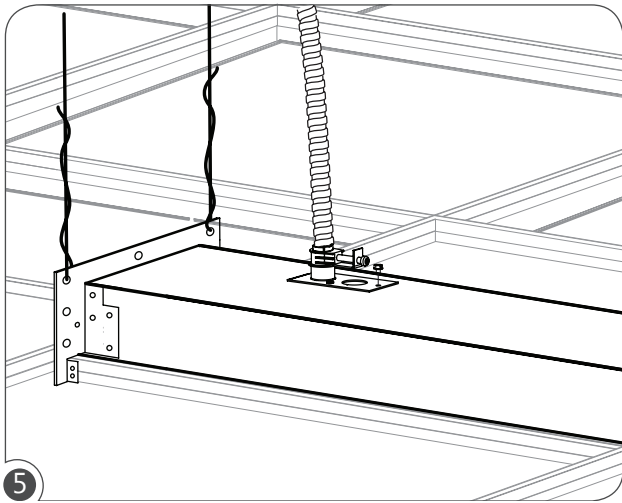
Secure fixture with support wire(B) and install bracket(C) in between T-bar grid and Fixture.



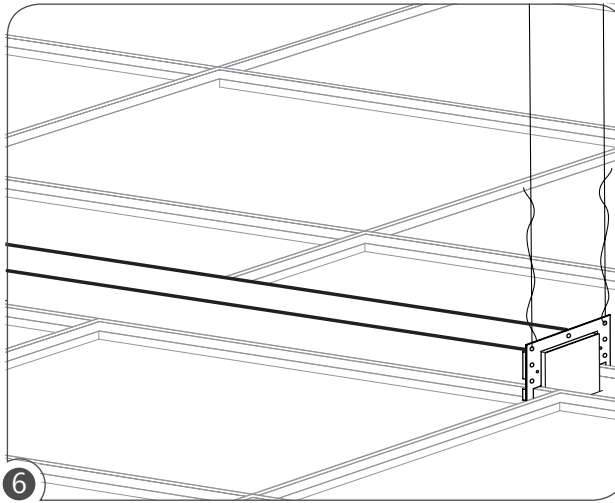
4

Connect BX cable connector to access plate and make wiring from BX cable to fixture wires.

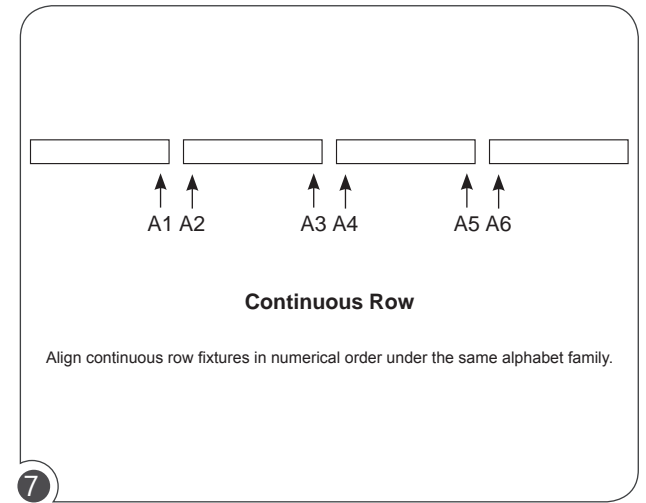
12100-20 | 12100-40 - INSTALLATION INSTRUCTIONS FOR RECESSED T-BAR MOUNT



5 Secure wires and install access plate to fixture.



6 Make sure both ends of fixtures is secure with support cable and bracket is properly installed between T-bar grid and fixture.



7 Refer to [7A, 7B and 7C] on the last page for detailed installation instructions.

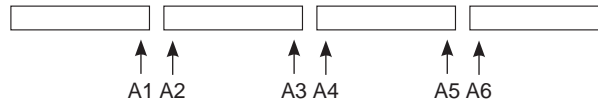
12100-20 | 12100-40 - INSTALLATION INSTRUCTIONS FOR RECESSED T-BAR MOUNT

CONTINUOUS ROW

TOOL(S) NEEDED:

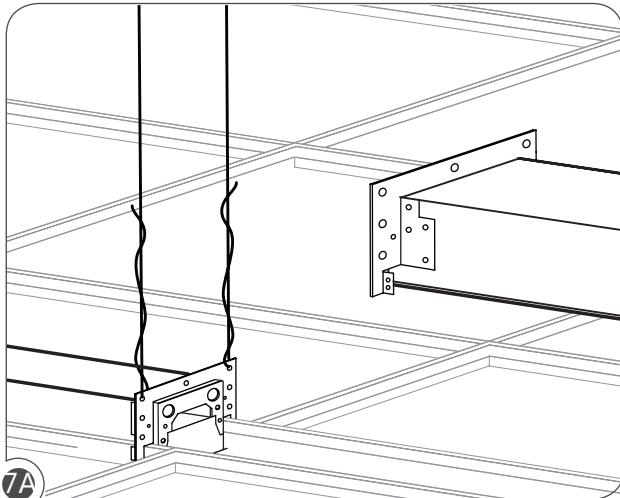
Option 1) Cordless drill and an elbow or L-shape adapter with Philips Insert Bit extension.

Option 2) Flexible Screwdriver with Philips Insert Bit.

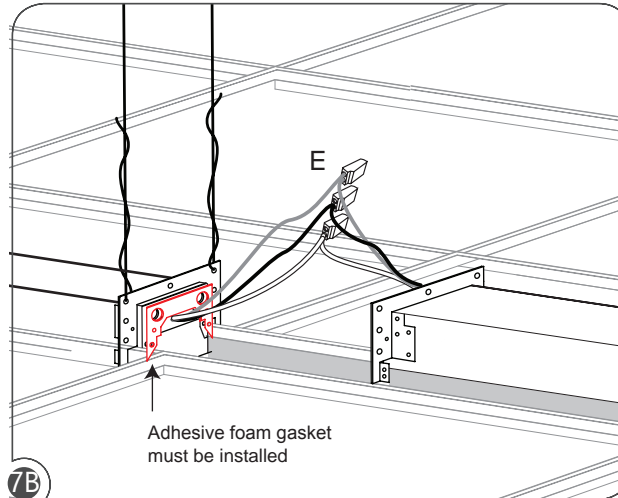


Continuous Row

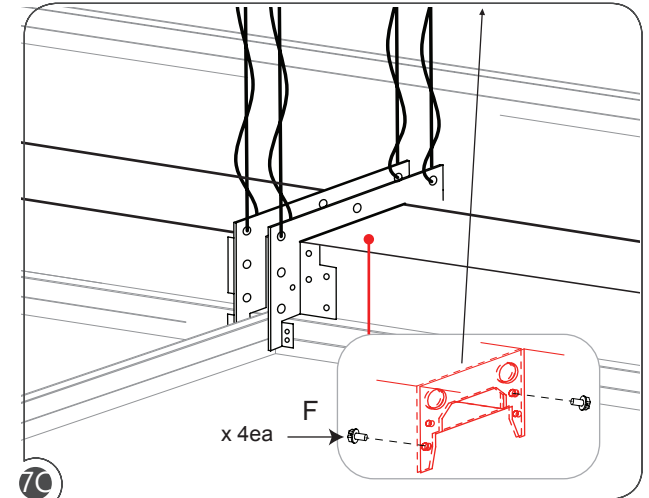
Align continuous row fixtures in numerical order under the same alphabet family.



Align fixtures side by side onto screw slot ceiling.



Connect power wire together from each fixture running end to end for continuous row with Wire connectors(E).
Adhesive foam gasket must be installed



Align fixtures together and Screw from the inside with 4 screws(F).